

Topcon H2 Spraymaster

Spraying Controller



Compatible with many manual or electric agricultural spraying machines with up to 3 - monitor only - sections (Expandable to 9 with an ACI Module), the Topcon H2 Spraymaster provides automatic speed based spraying control designed to optimize inputs and increase yield.

Integrated on pressure- or flow-based systems, the solution offers information on forward speed, application rate, pressure, flow rate, tank contents, area sprayed, volume sprayed, fan speed, work rate, total area, and total volume applied. Additionally, the system provides density settings for liquid fertilizer and allows manual variable rate control.

- » Automatic speed based spraying control
- » 2.8" Clear color display
- » Easy-to-use interface
- » High durability (IP67)
- » Speed data from wheel-sensors or GNSS receiver



**Empower
Labor**

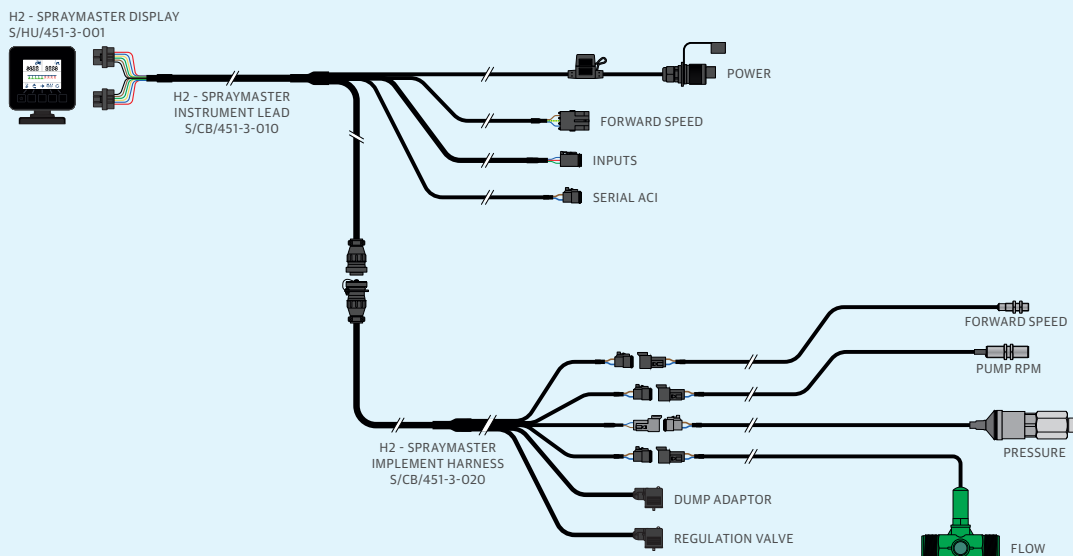


**Improve
Applications**



**Optimize
Growth**

Schematic Drawing



Topcon H2 Spraymaster

Spraying Controller

Electrical

Supply Voltage	9 - 30 V dc
Supply Current	< 500 mA (with no load)
Maximum Supply Current	15A (3A ISO13766 option)
Comms Ports	2 x CAN 2.0B
Input Protection	30 V
EMC etc	ISO 14982 (Forestry and Agricultural Machinery) For Bluetooth option also: FCC CFR 47, ICES-003 and EN 301 489-17 (RED) Build Option: ISO 13766:2018 (Earth Moving Machinery)

Environmental

Sealing	IP67
Vibration / Humidity / Operating / Temperature etc	Conforms with: TTL Environmental Specification 'MIN_SP_0001' (Details on request)

Inputs / Outputs

Outputs (3 amps each)	1x Reg Valve + 1x Reg Valve - 1x Dump Valve 5x Un-used
Inputs	1x Flow 1x Pressure 1x Forward Speed 1x RPM 1x Master On/Off 3x Section Status
Hardware Interlock	1 x Hardware Interlock
Sensor Power	Protected +5V and supply voltages available for powered sensors

Processor

Real-Time Processor	ARM M3 core running at 120 MHz
Non Volatile Storage	8 MB

Physical

Dimensions	103 mm x 41 mm x 99 mm
------------	------------------------

