

# Topcon XC1 plus Console

## Economical 10" Touchscreen Display



Compatible with many agricultural machines, the Topcon XC1 plus console provides a reliable interface in an economical yet durable form. This steering display features a 10" color touchscreen, high durability design for open-cab environments, and easy-to-use Topcon software with an optional ISOBUS UT unlock. Integrated with Topcon Value Line Steering solutions, the XC1 plus is ready for the variable needs of commercial agriculture.

---

» Clear 10" color touchscreen

---

» Proven, easy-to-use software with optional ISOBUS UT

---

» High durability (IP66)

### Display

Type	TFT Color Graphic LCD with LED backlight
Size	10,1" (259mm (W) x 175mm (H))
Resolution	1280 x 800 px (WQVGA), 15:9
Colors	16.7 Mio.
Brightness	typ. 1000cd/m2
Contrast Ratio	typ. 800:1

### Input Devices

Touch	Capacitive Touch
Indicators and Sensors	Light sensor 1 Multicolor LED

### Electronics

CPU	Freescale I.MX6®, Dual, 1000MHz
Mass storage	8GByte (minus space for OS & application)
RAM	2GByte
RTC	Buffered by gold cap Buffered for 2 weeks at Tambien Deviation max. 1s/day
Speaker	Up to 90dB @ 10 cm distance (max. @ ~8 kHz)
Audio	1 x Audio output (left, right, GND) AC97 compatible Output power: approx. 50mW
Silent Wake-Input	Input which can be used for Silent-Wake-On of the OPUS to reduce visible boot-time Active on positive edge
Power supply	System supplied through terminal 30 (battery +, see pinout) and 31 (battery -, see pinout). Terminal 15 (ignition) to be used to switch on/off. Operating voltage range: 8 - 36V DC. Short circuit protection. Over-voltage protection up to 48V for max. 5 min. Inverse polarity protection up to -48V DC for max. 5 min.

# Topcon XC1 plus Console

## Economical 10" Touchscreen Display

### Interfaces

CAN Bus	4 x CAN-Interface according to ISO 11898, CAN-specification 2.0 B active, up to 1Mbit/s (default 250Kbit/s, possible 10Kbit/s, 20Kbit/s, 50Kbit/s, 83.3Kbit/s, 111.1Kbit/s, 250Kbit/s, 500Kbit/s, 800Kbit/s, 1Mbit/s)
RS232	1 x RS232-Interface Type: EIA232 (only RXD, TXD, GND) Speed: max. 115.200Kbps
USB	Host 2.0 Side connector: 1 x Type A High speed Guaranteed 900mA @ 5V Back connector: 1 x Type A High speed Guaranteed 900mA @ 5V
Wireless-Interface	Via additional USB connected WiFi device
Ethernet-Interface	1 x Automotive Ethernet Interface

### Connectors

Main	Typo-AMP 1437288-6 Mating connector (customer) Typo-AMP 3-1437290-7 Mating crimp contact (customer) Typo-AMP 3-1447221-4 Dummy Plug (customer) Typo-AMP 4-1437284-3
Ethernet-Connector	M12 round connector, female, 4-pole, D-coded acc. to EN 61076-2-101

### Software

Operating System	Linux Kernel 4.14.0 or higher
Application Programming	Horizon Lite

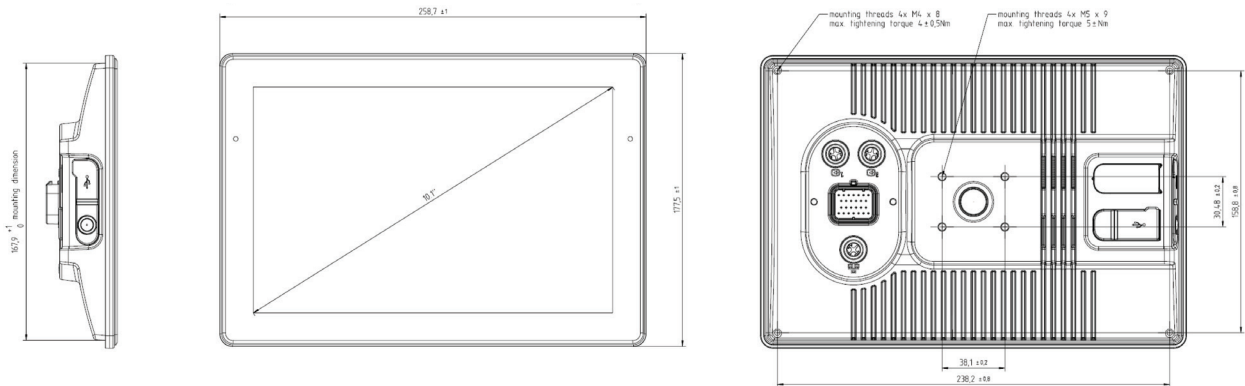
### Testing and Verification

CE-Compliance	EU Directive 2014/30/EU (EMC) according to <ul style="list-style-type: none"><li>- <b>EN 13766:</b> Construction machinery – Electromagnetic compatibility of machines with internal electrical power supply</li><li>- <b>EN ISO 14982:</b> Agricultural and forestry machinery – Electromagnetic compatibility - Test methods and acceptance criteria</li><li>- <b>EN 50498:</b> Electromagnetic compatibility (EMC). Product family standard for aftermarket electronic equipment in vehicles.</li><li>- <b>EN 61000-6-2:</b> Electromagnetic compatibility (EMC). Generic standards - Immunity for industrial environment</li><li>- <b>EN 61000-6-4:</b> Electromagnetic compatibility (EMC). Generic standards - Emission standard for industrial environment.</li></ul>
---------------	--

# Topcon XC1 plus Console

Economical 10" Touchscreen Display

## Dimensions



Note: dimensions are in millimeters (mm)